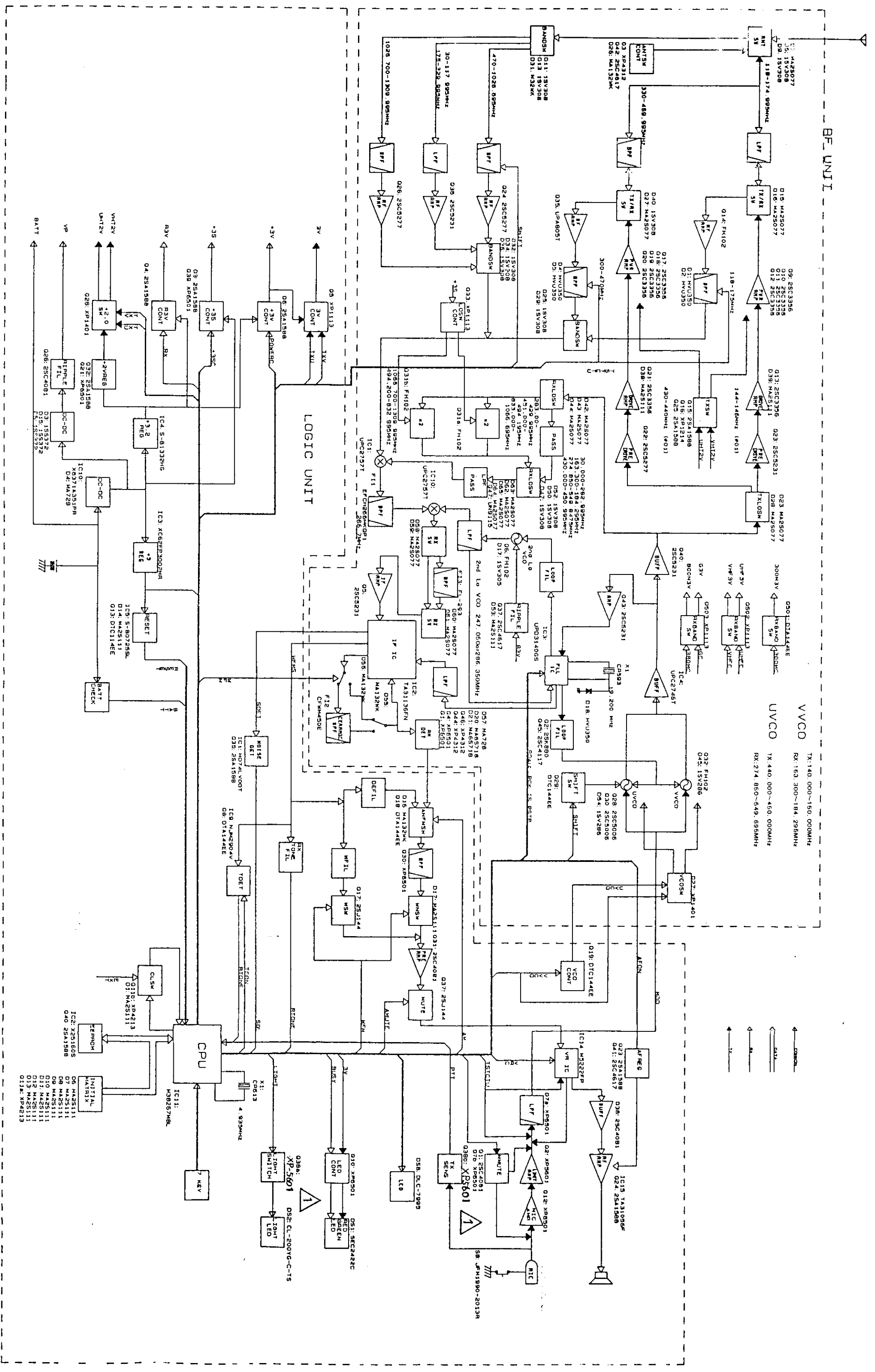
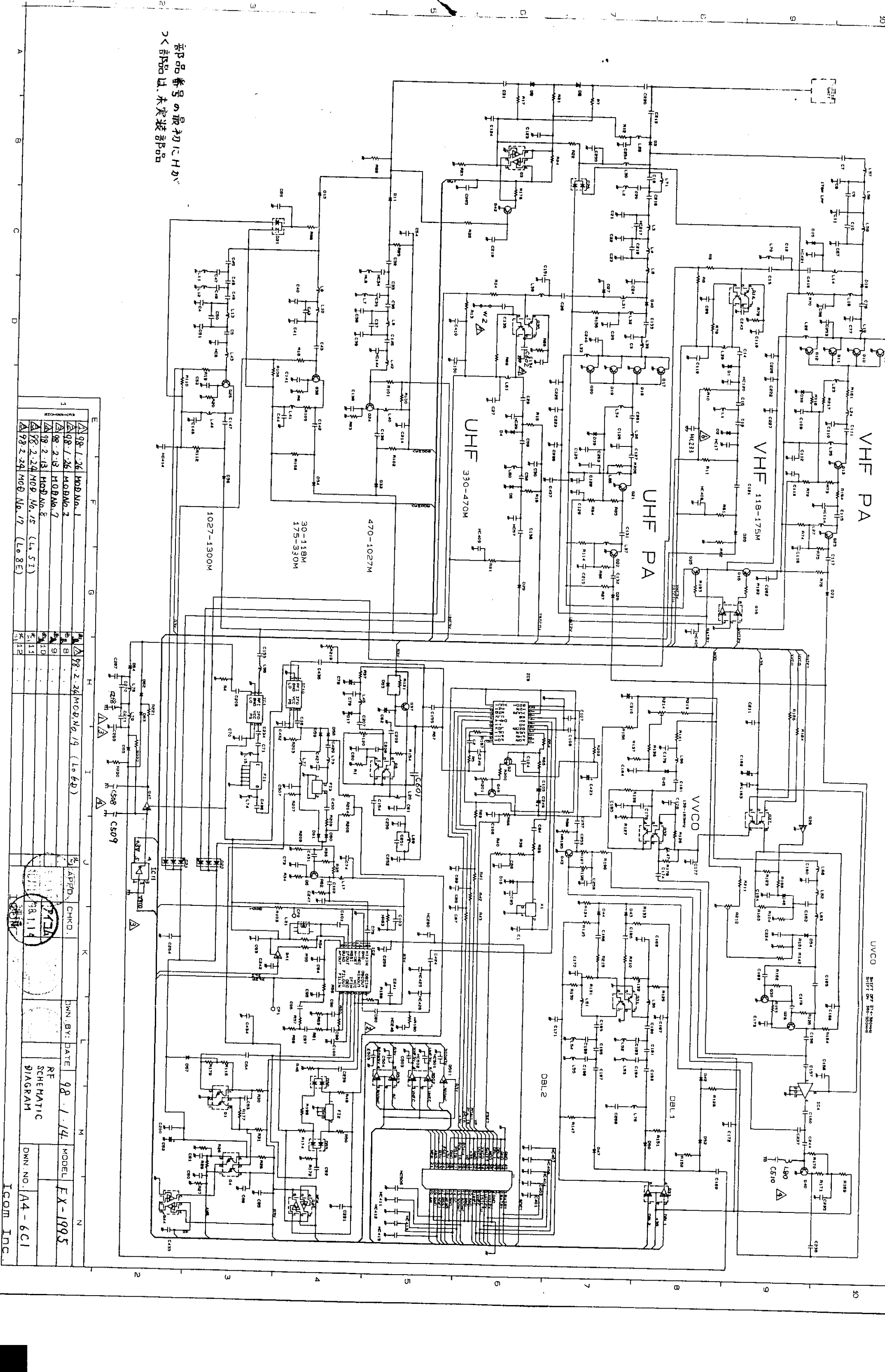


RF UNIT



IC-Q7A BLOCK DIAGRAM





部品番号の最初にHが  
 部品は、未定装部品

MOD No. 1	98-1-26	MOD No. 2	98-1-26	MOD No. 7	98-2-13	MOD No. 8	98-2-13	MOD No. 15 (L.S.I)	98-2-24	MOD No. 17 (L.S.I)	98-2-24
9	9	9	9	9	9	9	9	9	9	9	9
APPRO. CHKD.	98.1.14	DATE	98.1.14	MODEL	FX-1995	DWN. BY	DATE	98.1.14	RF SCHEMATIC DIAGRAM	DWN. NO.	AA-6C1